

BRIO Pendant
3-6018-xx

oxygen

FIXTURE TYPE _____

LOCATION _____

PROJECT _____

DATE _____



-15 Black

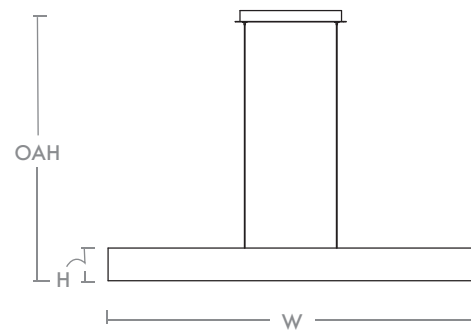


-15 Black



-60 PGL

LIGHT SOURCE	(1x) 89W LED Array, 3000K, 90 CRI (Ra)
LUMINAIRE POWER	TBD Input Power
RATED LIFE (L70)	50000 hr RL
COLOR TEMPERATURE	3000K
LUMEN OUTPUT	TBD
INPUT VOLTAGE	120V
DRIVER OUTPUT	TBD
DIMMING	TRIAC and ELV dimming at 120V AC
CONSTRUCTION	Powder Coated Cold Rolled Steel
DIFFUSER	- Matte White Acrylic
FINISHES	-15 Black, -60 PLG
MOUNTING	4" Octagonal J-Box
STANDARDS	cUL Damp Listed, ADA Compliant, Conforms to UL STD 1598, Certified CAN/CSA STD C22.2 No 250.0.



DIMENSIONS

Canopy:	14"L x 5.9"W x 1.375" Ht
W:	46"
H:	4.25"
OAH:	Provided with 10' adjustable cable

Order example for standard fixture:
3-6018-15 (x-xxx: LED Sequence # / -xx: Finish)

